

Digimatic Caliper Gages

SERIES 209 — Internal Tube Thickness Measurement

Versatile ID measuring gages for hole diameters, groove thickness, tube diameter and hard-to-reach dimensions. The Digimatic Caliper Gages provide error-free LCD readings, as well as data output for SPC analysis.

Internal measurement type

209-552



Technical Data

Accuracy: Refer to the list of specifications
 Resolution: .001", .0005", or .0002"
 .01mm, 0.02mm, or 0.005mm
 Display: LCD Analog / Digital
 Power Supply: AAA Battery (2 pcs.)
 Battery life: Approx. 350 hours
 Measuring Force: 0.9 - 1.8N
 Dust/Water protection level: IP67
 Provided with inspection certificate.

Function

Zeraset, Preset, Auto power off, Inch/Metric, conversion Data hold, Max/Min value holding, Data output

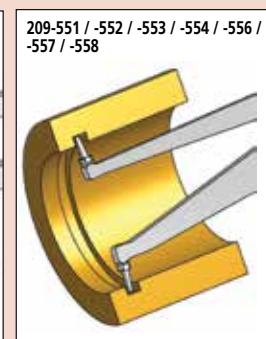
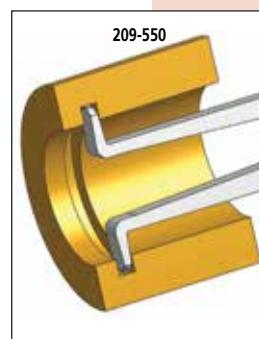
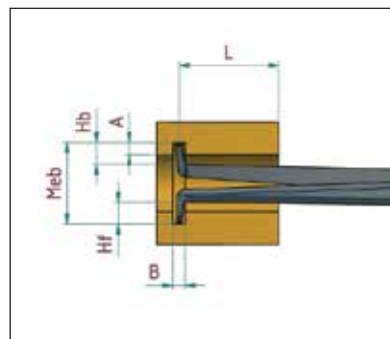
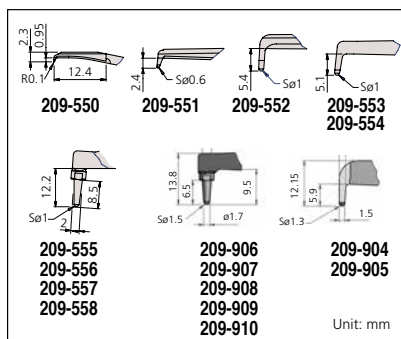
Optional Accessories

KPL1961-09: SPC Adapter
937387: Digimatic cable (1m)
965013: Digimatic cable (2m)
KPL8004-50: Holder for stand

SPECIFICATIONS

Inch / Metric

Range	Order No.	Resolution	Accuracy	Max. Measuring Depth L	Max. Groove Depth A	Min. Groove Width B	Type of Measuring Contact	Mass(g)
.10 - .49" / 2.5 - 12.5mm	209-550	.0002" / 0.005mm	.0008" / 0.015mm	.47" / 12mm	.027" / 0.7mm	.023" / 0.5mm	Chisel R .0039" / 0.1mm	225
.20 - .59" / 5 - 15mm	209-551	.0002" / 0.005mm	.0008" / 0.015mm	1.37" / 35mm	.09" / 2.3mm	.032" / 0.8mm	Ball .024" / 0.6mm dia.	230
.39 - 1.18" / 10-30mm	209-552	.0005" / 0.01mm	.0015" / 0.03mm	3.3" / 85mm	.19" / 5.2mm	.06" / 1.2mm	Ball .04" / 1mm dia.	250
.79 - 1.58" / 20-40mm	209-553	.0005" / 0.01mm	.0015" / 0.03mm	3.3" / 85mm	.26" / 7mm	.06" / 1.2mm	Ball .04" / 1mm dia.	250
1.18 - 1.97" / 30-50mm	209-554	.0005" / 0.01mm	.0015" / 0.03mm	3.3" / 85mm	.26" / 7mm	.06" / 1.2mm	Ball .04" / 1mm dia.	255
1.58 - 2.36" / 40-60mm	209-555	.0005" / 0.01mm	.0015" / 0.03mm	3.3" / 85mm	.31" / 8.3mm	.06" / 1.2mm	Ball .04" / 1mm dia.	265
1.97 - 2.75" / 50-70mm	209-556	.0005" / 0.01mm	.0015" / 0.03mm	3.3" / 85mm	.31" / 8.3mm	.06" / 1.2mm	Ball .04" / 1mm dia.	265
2.36 - 3.15" / 60-80mm	209-557	.0005" / 0.01mm	.0015" / 0.03mm	3.3" / 85mm	.31" / 8.3mm	.06" / 1.2mm	Ball .04" / 1mm dia.	270
2.75 - 3.54" / 70-90mm	209-558	.0005" / 0.01mm	.0015" / 0.03mm	3.3" / 85mm	.31" / 8.3mm	.06" / 1.2mm	Ball .04" / 1mm dia.	270
0.51 - 1.69" / 13-43mm	209-904	.001" / 0.02mm	.002" / 0.04mm	5.0" / 127mm	.177" / 4.5mm	.079" / 2.0mm	Ball Ø.05" / 1.3mm	360
1.18 - 2.36" / 30-60mm	209-906	.001" / 0.02mm	.002" / 0.04mm	5.2" / 132mm	.256" / 6.5mm	.098" / 2.5mm	Ball Ø.06" / 1.5mm	370
1.97 - 3.15" / 50-80mm	209-907	.001" / 0.02mm	.002" / 0.04mm	5.2" / 132mm	.335" / 8.5mm	.098" / 2.5mm	Ball Ø.08" / 2mm	370
2.76 - 3.94" / 70-100mm	209-908	.001" / 0.02mm	.002" / 0.04mm	5.2" / 132mm	.335" / 8.5mm	.098" / 2.5mm	Ball Ø.08" / 2mm	375
3.54 - 4.72" / 90-120mm	209-909	.001" / 0.02mm	.002" / 0.04mm	5.2" / 132mm	.335" / 8.5mm	.098" / 2.5mm	Ball Ø.08" / 2mm	380
0.59 - 2.56" / 15-65mm	209-905	.001" / 0.02mm	.0024" / 0.06mm	7.4" / 188mm	.196" / 5mm	.087" / 2.2mm	Ball Ø.06" / 1.5mm	415
1.57 - 3.54" / 40-90mm	209-910	.001" / 0.02mm	.0024" / 0.06mm	7.56" / 192mm	.315" / 8mm	.098" / 2.5mm	Ball Ø.08" / 2mm	420



Edge R 0.1 mm

Ball Ø 0.6mm, Ø 1mm, Ø 1.3mm
 Ø 1.5mm and Ø 2mm