

FANUC Robot *M-2iA*



FEATURES

FANUC Robot *M-2iA* is a medium-sized parallel link robot for high speed picking and assembly.

- Six models are available to meet a variety degree of freedom at wrist and operating space.
 - FANUC Robot *M-2iA/3A*, *M-2iA/3AL*
Using 3 axes at wrist, this model is suitable for complicated task, for example, arranging and assembling operations which need to change posture freely.
 - FANUC Robot *M-2iA/3S*, *M-2iA/3SL*
Using single axis rotation at wrist, this model is suitable for high speed picking of plenty work pieces on the conveyor while aligning direction of each work piece.
 - FANUC Robot *M-2iA/6H*, *M-2iA/6HL*
It is a total 3 axes robot without rotation axis at wrist with 6kg payload. This model is suitable for high speed picking of work pieces.
 - Among above six models, *M-2iA/3AL*, *M-2iA/3SL* and *M-2iA/6HL* cover wider operating area with its longer arm.
- Withstand a high pressure stream cleaning with IP69K of enclosed mechanical unit.
- Food option is available with appropriate materials and surface treatment for food sanitation as well as food grade grease. It contributes to the automation in the food market.
- Various intelligent functions are available, such as *iRVision* (integrated vision) and *iRPickTool*.

Application Examples



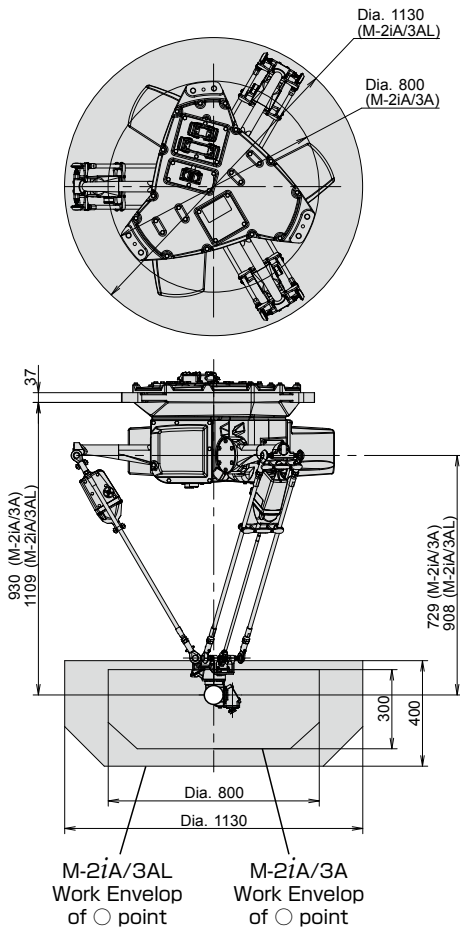
Fast arranging of food by *M-2iA/3S*



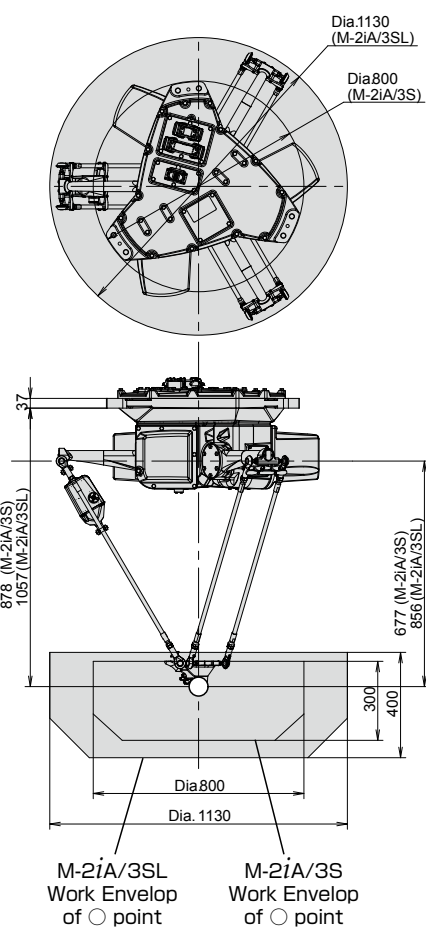
Fast packaging of gift box by *M-2iA/3A*

Operating space

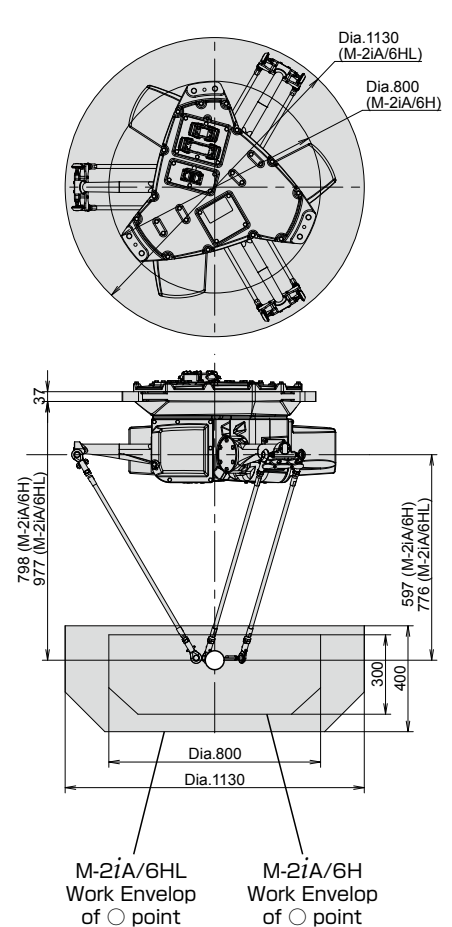
M-2iA/3A, M-2iA/3AL



M-2iA/3S, M-2iA/3SL



M-2iA/6H, M-2iA/6HL



Specifications

Model	M-2iA/3A, M-2iA/3AL Note4)	M-2iA/3S, M-2iA/3SL Note4)	M-2iA/6H, M-2iA/6HL Note4)
Type	Parallel link mechanism		
Controlled axes	6 axes (J1, J2, J3, J4, J5, J6)	4 axes (J1, J2, J3, J4)	3 axes (J1, J2, J3)
Installation	Ceiling mount		
Motion range (Maximum speed) Note1)	J1-J3	Diameter 800 mm, height 300 mm (Note4 Diameter 1130 mm, height 400 mm)	
	J4	720° (1700°/s) 12.57 rad (29.67rad/s)	720° (3500°/s) 12.57 rad (61.06rad/s)
	J5	300° (1700°/s) 5.24 rad (29.67rad/s)	-
	J6	720° (1700°/s) 12.57 rad (29.67rad/s)	-
Max. payload at wrist	3 kg	3 kg	6 kg
Repeatability Note2)	± 0.03 mm		
Drive method	Electric servo drive by AC servo motor		
Mass Note3)	140 kg	130 kg	125 kg
Installation environment	Ambient temperature : 0 to 45°C		
	Ambient humidity		
	Normally : 75%RH or less (No dew, nor frost allowed)		
	Short term : Max. 95%RH or less (within one month)		
	Vibration : 4.9 m/s ² (0.5G) or less		

Note 1) During short distance motions, the axis speed may not reach the maximum value stated.

Note 2) Compliant with ISO9283.

Note 3) Without controller.

Note 4) For long arm specification (M-2iA/3AL, M-2iA/3SL, M-2iA/6HL).

FANUC CORPORATION

Headquarters Oshino-mura, Yamanashi 401-0597, Japan

Phone: 81-555-84-5555 Fax: 81-555-84-5512 <http://www.fanuc.co.jp>

●Overseas Affiliated Companies
 FANUC America Corporation
 FANUC Europe Corporation, S.A.
 SHANGHAI-FANUC Robotics CO., LTD.
 KOREA FANUC CORPORATION
 TAIWAN FANUC CORPORATION
 FANUC INDIA PRIVATE LIMITED
 FANUC SINGAPORE PTE. LTD.
 FANUC THAI LIMITED
 FANUC MECHATRONICS (MALAYSIA) SDN. BHD.
 PT. FANUC INDONESIA
 FANUC OCEANIA PTY. LIMITED
 FANUC SOUTH AFRICA (PROPRIETARY) LIMITED

3900 West Hamlin Road, Rochester Hills, MI 48309-3253, U.S.A.
 Zone Industrielle, L-6468 Echternach, Grand-Duché de Luxembourg
 No. 1500 Fulian Road, Baoshan Area, Shanghai, China
 101, Wanam-ro(st), Seongsan-gu, Changwon-si, Gyeongsangnam-do, 642-290 Republic of Korea
 No.10, 16th Road, Taichung Industrial Park, Taichung, Taiwan
 41-A, Electronics City, Bangalore, 560 100, India
 No.1 Teban Gardens Crescent, Singapore 608919, Singapore
 1301 Pattanakarn Road, Kwaeng Suanluang, Khet Suanluang, Bangkok 10250 Thailand
 No.32, Jalan Pengacara U1/48, Temasya Industrial Park, Section U1, Glenmarie, 40150 Shah Alam, Selangor Darul Ehsan, Malaysia
 JL. Boulevard Bukit Gading Raya Blok R, Jakarta 14240 Indonesia
 10 Healey Circuit, Huntingwood, NSW 2148, Australia
 17 Loper Ave, Aeroport Industrial Ests. Spartan Ext.2 P.O.Box 219, Isando 1600, Republic of South Africa

Phone: 1-248-377-7000 Fax: 1-855-774-7051
 Phone: 352-727777-1 Fax: 352-727777-403
 Phone: 86-21-5032-7700 Fax: 86-21-5032-7711
 Phone: 82-55-278-1200 Fax: 82-55-284-9826
 Phone: 886-4-2359-0522 Fax: 886-4-2359-0771
 Phone: 91-80-2852-0057 Fax: 91-80-2852-0051
 Phone: 65-6567-8566 Fax: 65-6566-5937
 Phone: 66-2-714-6111 Fax: 66-2-714-6120
 Phone: 60-3-7628-0110 Fax: 60-3-7628-0220
 Phone: 62-21-4584-7285 Fax: 62-21-4584-7288
 Phone: 61-2-8822-4600 Fax: 61-2-8822-4666
 Phone: 27-11-392-3610 Fax: 27-11-392-3615

- All specifications are subject to change without notice.
- No part of this catalog may be reproduced in any form.
- The products in this catalog are controlled based on Japan's "Foreign Exchange and Foreign Trade Law". The export from Japan may be subject to an export license by the government of Japan. Further, re-export to another country may be subject to the license of the government of the country from where the product is re-exported. Furthermore, the product may also be controlled by re-export regulations of the United States government. Should you wish to export or re-export these products, please contact FANUC for advice.