

FANUC Robot P-250iB

FEATURES

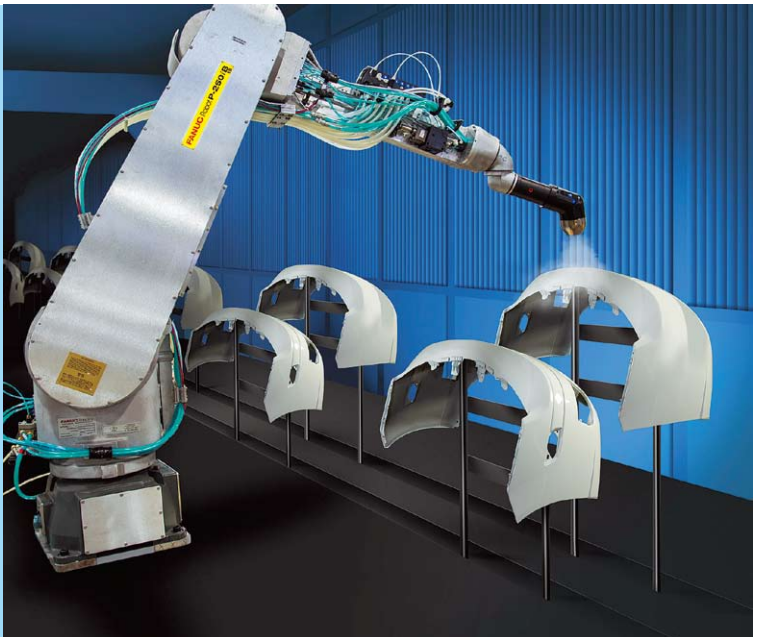
FANUC Robot P-250iB is a large size paint robot with 15kg payload capacity.

- Long reach of 2800mm, variety of mounting types, and right or left side of offset arm enable flexible layout and compact spraybooth.
- The ability to integrate process components in the inner arm in close proximity to the applicator can reduce required cleaning time and amount of wasted paint materials at the time of color change.
- Auxiliary motors for paint process are integrated in the outer arm.(Option, maximum 2 axes)
- Offset hollow wrist structure offers easy integration of process hoses and enables entering into narrow space to paint.
- Adequate load capacity at wrist supports a variety size of applicators.

Application Example



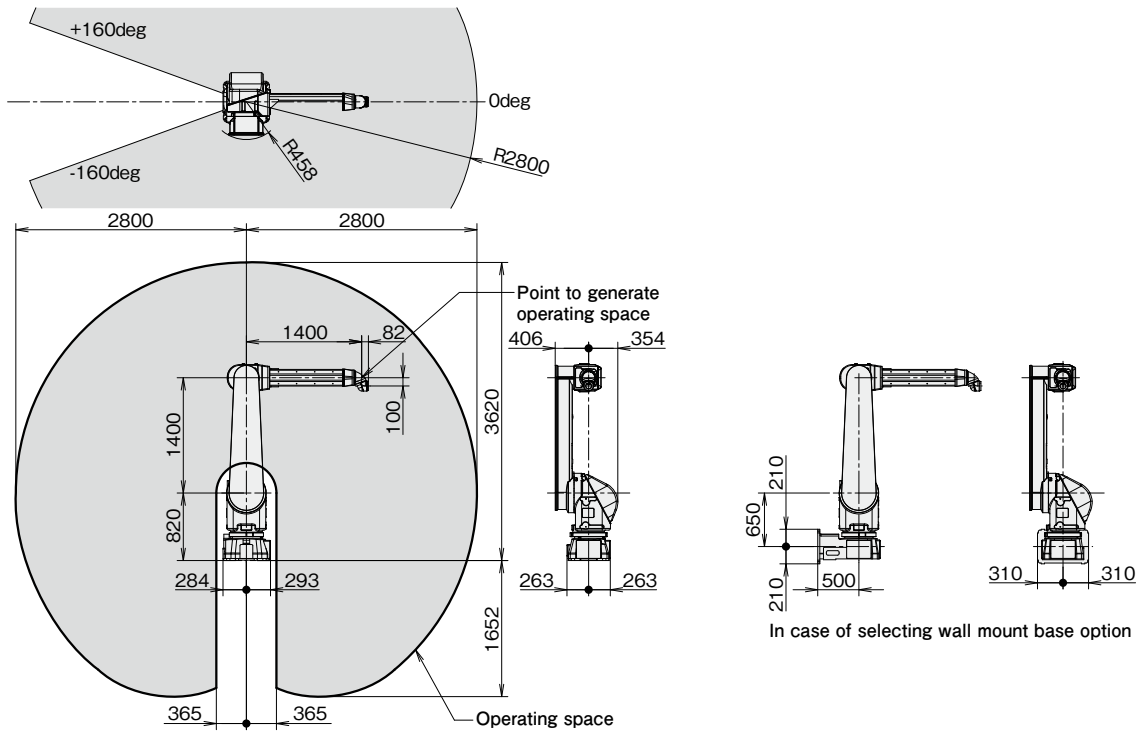
Wall Mount Base Option



Automotive Large Part Painting System

Operating space

P-250iB



Specifications

Model		P-250iB	
Type		Articulated Type	
Controlled axes		6 axes (J1, J2, J3, J4, J5, J6)	
Reach		2800 mm	
Installation		Floor, Upside-down, Shelf	Wall, Angle
Motion range (Maximum speed) Note 1)	J1 axis rotation	320°(160°/s) 5.59 rad (2.79 rad/s)	320°(100°/s) 5.59 rad (1.75 rad/s)
	J2 axis rotation	280°(160°/s)	4.89 rad (2.79 rad/s)
	J3 axis rotation	330°(160°/s)	5.76 rad (2.79 rad/s)
	J4 axis wrist rotation	1080°(375°/s)	18.85 rad (6.54 rad/s)
	J5 axis wrist swing	1080°(430°/s)	18.85 rad (7.50 rad/s)
	J6 axis wrist rotation	1080°(545°/s)	18.85 rad (9.51 rad/s)
Max. load capacity at wrist		15 kg	
Max. load capacity on outer arm		15 kg	
Max. load capacity on inner arm		15 kg	
Allowable load moment at wrist	J4 axis	65 N·m 6.6 kgf·m	
	J5 axis	55 N·m 5.6 kgf·m	
	J6 axis	7.4 N·m 0.76 kgf·m	
Allowable load inertia at wrist	J4 axis	3.0 kg·m ² 30.6 kgf·cm·s ²	
	J5 axis	2.1 kg·m ² 21.4 kgf·cm·s ²	
	J6 axis	0.07 kg·m ² 0.71 kgf·cm·s ²	
Drive method		Electric servo drive by AC servo motor	
Repeatability		± 0.2 mm	
Mass (Note 2)		530 kg	500kg
Installation environment		Ambient temperature	: 0 to 45°C
		Ambient humidity	: Normally 75 %RH or less (No dew nor frost allowed) Short term Max.95 %RH or less (within one month)
		Vibration acceleration	: 4.9 m/s ² (0.5G) or less

Note 1) During short distance motions, the axis speed may not reach the maximum value stated.
 Note 2) Without controller.

FANUC CORPORATION

Headquarters Oshino-mura, Yamanashi 401-0597, Japan
 Phone: 81-555-84-5555 Fax: 81-555-84-5512 <http://www.fanuc.co.jp>

- Overseas Affiliated Companies
- FANUC America Corporation
- FANUC Europe Corporation, S.A.
- SHANGHAI-FANUC Robotics CO., LTD.
- KOREA FANUC CORPORATION
- TAIWAN FANUC CORPORATION
- FANUC INDIA PRIVATE LIMITED
- FANUC SINGAPORE PTE. LTD.
- FANUC THAI LIMITED
- FANUC MECHATRONICS (MALAYSIA) SDN. BHD.
- PT. FANUC INDONESIA
- FANUC OCEANIA PTY. LIMITED
- FANUC SOUTH AFRICA (PROPRIETARY) LIMITED

- 3900 West Hamlin Road, Rochester Hills, MI 48309-3253, U.S.A.
- Zone Industrielle, L-6468 Echternach, Grand-Duché de Luxembourg
- No. 1500 Fulian Road, Baoshan Area, Shanghai, China
- 101, Wanam-ro(st), Seongsan-gu, Changwon-si, Gyeongsangnam-do, 642-290 Republic of Korea
- No.10, 16th Road, Taichung Industrial Park, Taichung, Taiwan
- 41-A, Electronics City, Bangalore, 560 100, India
- No.1 Teban Gardens Crescent, Singapore 608919, Singapore
- 1301 Pattanakarn Road, Kwaeng Suanluang, Khet Suanluang, Bangkok 10250 Thailand
- No.32, Jalan Pengacara U1/48, Temasya Industrial Park, Section U1, Glenmarie, 40150 Shah Alam, Selangor Darul Ehsan, Malaysia
- JL. Boulevard Bukit Gading Raya Blok R, Jakarta 14240 Indonesia
- 10 Healey Circuit, Huntingwood, NSW 2148, Australia
- 17 Loper Ave, Aeroport Industrial Ests. Spartan Ext.2 P.O.Box 219, Isando 1600, Republic of South Africa

- Phone: 1-248-377-7000 Fax: 1-855-774-7051
- Phone: 352-727777-1 Fax: 352-727777-403
- Phone: 86-21-5032-7700 Fax: 86-21-5032-7711
- Phone: 82-55-278-1200 Fax: 82-55-284-9826
- Phone: 886-4-2359-0522 Fax: 886-4-2359-0771
- Phone: 91-80-2852-0057 Fax: 91-80-2852-0051
- Phone: 65-6567-8566 Fax: 65-6566-5937
- Phone: 66-2-714-6111 Fax: 66-2-714-6120
- Phone: 60-3-7628-0110 Fax: 60-3-7628-0220
- Phone: 62-21-4584-7285 Fax: 62-21-4584-7288
- Phone: 61-2-8822-4600 Fax: 61-2-8822-4666
- Phone: 27-11-392-3610 Fax: 27-11-392-3615

- All specifications are subject to change without notice.
- No part of this catalog may be reproduced in any form.
- The products in this catalog are controlled based on Japan's "Foreign Exchange and Foreign Trade Law". The export from Japan may be subject to an export license by the government of Japan. Further, re-export to another country may be subject to the license of the government of the country from where the product is re-exported. Furthermore, the product may also be controlled by re-export regulations of the United States government. Should you wish to export or re-export these products, please contact FANUC for advice.